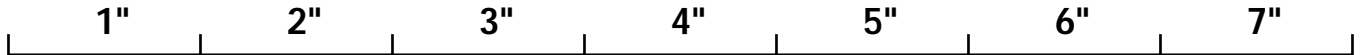




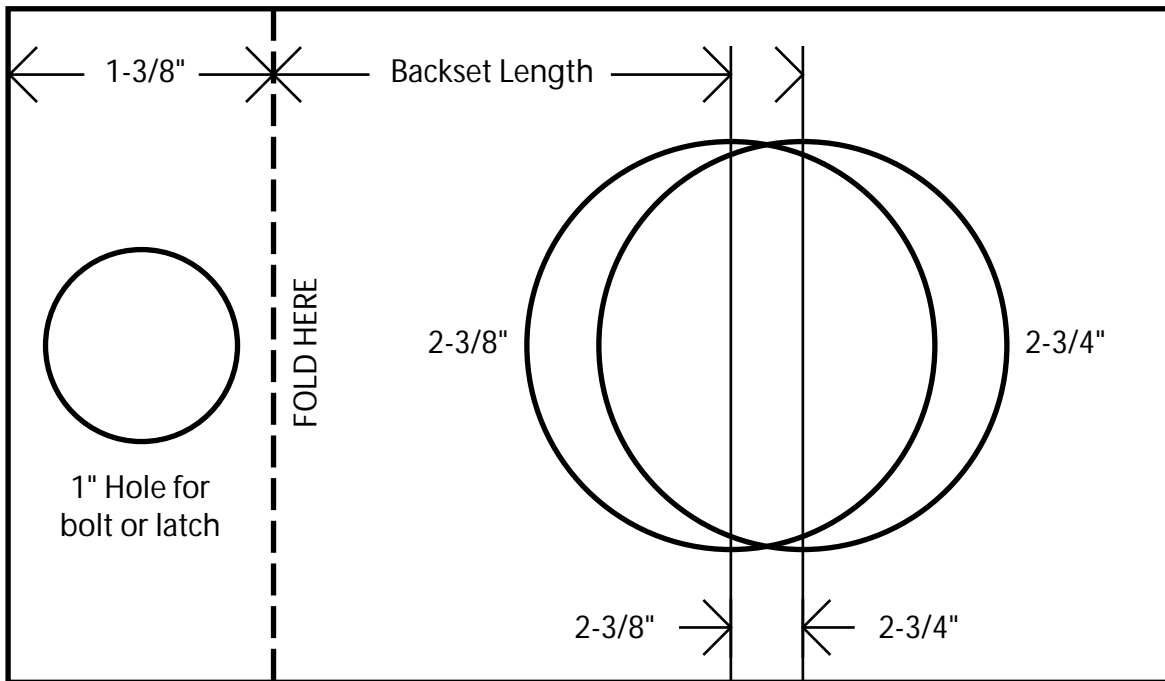
www.bayarealocks.com

Backset Template

Instructions: Print this page and first confirm this is actual size by measuring the ruler below. If the ruler appears to be correct, cut out the template that matches the thickness of your door. Fold the template around the edge of the door and compare the larger holes with the current hole in the door to determine your backset length.



This template is for a 1-3/8" thick door



This template is for a 1-3/4" thick door

